

Pulegge per cinghie dentate passo metrico ST per cinghie " AT "
ST Timing belt pulleys metric pitch for " AT " belts
ST Zahnriemenscheiben metrische Teilung für " AT "
Poulies dentées ST pour courroies " AT " pas métrique
Poleas dentadas ST para correas " AT " paso en mm

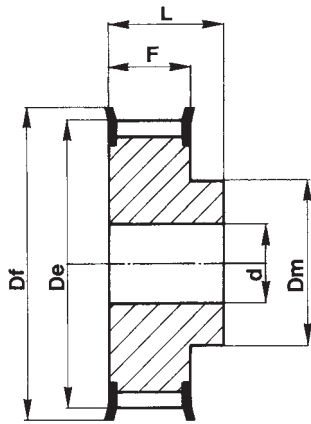
Materiale: alluminio 6082 T6 UNI 9006/4 adatto al trattamento anodico

Material: aluminium 6082 T6 UNI 9006/4 suitable for anodic treatment

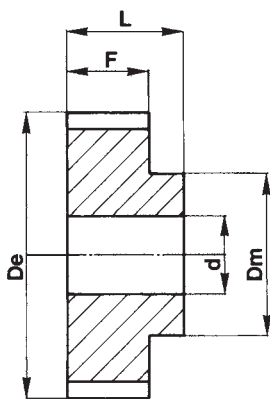
Material: aluminium 6082 T6 UNI 9006/4 geeignet für anodischen oxydation

Material: aluminium 6082 T6 UNI 9006/4 apte au traitement anodique

Material: aluminio 6082 T6 UNI 9006/4 apto para la oxidacion anodica



TIPO TYPE 6F



TIPO TYPE 6

ST 5

(PASSO 5 mm) PER CINGHIA LARGHEZZA 10 mm - (PITCH 5 mm) FOR BELT WIDTH 10 mm
 (TEILUNG 5 mm) FUER RIEMENBREITE 10 mm - (PAS 5 mm) POUR COURROIES LARGEUR 10 mm
 (PASO 5 mm) PARA CORREAS ANCHO 10 mm

CODICE CODE SYMBOL FABRIKNUMMER CODE SYMBOLE NUMERO DE FABRICA	NOSTRO CODICE OUR CODE UNSER KODE NOTRE CODE NUESTRO CODIGO	TIPO TYPE TYP TYPE TIPO	TIPO FLANGIA FLANGES TYPE BORDSCHEIBEN TYP TYPE FLASQUES TIPO TAPETAS	N.DENTI N. OF TEETH ZAHNEZAHL N. BRE DE DENTS CANTIDAD DE DIENTES	De	Df	Dm	F	L	d	PESO WEIGHT GEWICHT POIDS PESO Kg
21 ST5/12-2	21ST512	6F	F07	12	17,85	23,0	11	15	21	4	0,018
21 ST5/14-2	21ST514	6F	F08	14	21,05	25,0	14	15	21	4	0,019
21 ST5/15-2	21ST515	6F	F09	15	22,65	28,0	16	15	21	6	0,021
21 ST5/16-2	21ST516	6F	F10	16	24,20	32,0	18	15	21	6	0,025
21 ST5/18-2	21ST518	6F	F10	18	27,40	32,0	20	15	21	6	0,031
21 ST5/19-2	21ST519	6F	F12	19	29,00	36,0	22	15	21	6	0,036
21 ST5/20-2	21ST520	6F	F12	20	30,60	36,0	23	15	21	6	0,038
21 ST5/22-2	21ST522	6F	F14	22	33,85	38,0	24	15	21	6	0,048
21 ST5/24-2	21ST524	6F	F15	24	37,00	42,0	26	15	21	6	0,054
21 ST5/25-2	21ST525	6F	F17	25	38,60	44,0	26	15	21	6	0,058
21 ST5/26-2	21ST526	6F	F17	26	40,20	44,0	26	15	21	6	0,062
21 ST5/27-2	21ST527	6F	F18	27	41,80	48,0	30	15	21	8	0,064
21 ST5/28-2	21ST528	6F	F18	28	43,35	48,0	32	15	21	8	0,071
21 ST5/30-2	21ST530	6F	F19	30	46,55	51,0	34	15	21	8	0,076
21 ST5/32-2	21ST532	6F	F20	32	49,70	54,0	36	15	21	8	0,088
21 ST5/36-2	21ST536	6F	F24	36	56,05	64,0	38	15	21	8	0,114
21 ST5/40-2	21ST540	6F	F25	40	62,45	66,0	40	15	21	8	0,138
21 ST5/42-2	21ST542	6F	F26	42	65,60	70,0	40	15	21	8	0,180
21 ST5/44-0	21ST544	6		44	68,80	-	45	15	21	8	0,185
21 ST5/48-0	21ST548	6		48	75,15	-	50	15	21	8	0,200
21 ST5/60-0	21ST560	6		60	94,25	-	65	15	21	8	0,307

(PASSO 5 mm) PER CINGHIA LARGHEZZA 16 mm - (PITCH 5 mm) FOR BELT WIDTH 16 mm
 (TEILUNG 5 mm) FUER RIEMENBREITE 16 mm - (PAS 5 mm) POUR COURROIES LARGEUR 16 mm
 (PASO 5 mm) PARA CORREAS ANCHO 16 mm

ST 5

CODICE CODE SYMBOL FABRIKNUMMER CODE SYMBOLE NUMERO DE FABRICA	NOSTRO CODICE OUR CODE UNSER KODE NOTRE CODE NUESTRO CODIGO	TIPO TYPE TYP TYPE TIPO	TIPO FLANGIA FLANGES TYPE BORDSCHEIBEN TYP TYPE FLASQUES TIPO TAPETAS	N.DENTI N. OF TEETH ZAHNEZAHL N. BRE DE DENTS CANTIDAD DE DIENTES	De	Df	Dm	F	L	d	PESO WEIGHT GEWICHT POIDS PESO Kg
27 ST5/12-2	27ST512	6F	F07	12	17,85	23,0	11	21	27	4	0,022
27 ST5/14-2	27ST514	6F	F08	14	21,05	25,0	14	21	27	4	0,026
27 ST5/15-2	27ST515	6F	F09	15	22,65	28,0	16	21	27	6	0,029
27 ST5/16-2	27ST516	6F	F10	16	24,20	32,0	18	21	27	6	0,035
27 ST5/18-2	27ST518	6F	F10	18	27,40	32,0	20	21	27	6	0,043
27 ST5/19-2	27ST519	6F	F12	19	29,00	36,0	22	21	27	6	0,049
27 ST5/20-2	27ST520	6F	F12	20	30,60	36,0	23	21	27	6	0,053
27 ST5/22-2	27ST522	6F	F14	22	33,85	38,0	24	21	27	6	0,054
27 ST5/24-2	27ST524	6F	F15	24	37,00	42,0	26	21	27	6	0,076
27 ST5/25-2	27ST525	6F	F17	25	38,60	44,0	26	21	27	6	0,081
27 ST5/26-2	27ST526	6F	F17	26	40,20	44,0	26	21	27	6	0,085
27 ST5/27-2	27ST527	6F	F18	27	41,80	48,0	30	21	27	8	0,090
27 ST5/28-2	27ST528	6F	F18	28	43,35	48,0	32	21	27	8	0,092
27 ST5/30-2	27ST530	6F	F19	30	46,55	51,0	34	21	27	8	0,105
27 ST5/32-2	27ST532	6F	F20	32	49,70	54,0	36	21	27	8	0,123
27 ST5/36-2	27ST536	6F	F24	36	56,05	64,0	38	21	27	8	0,160
27 ST5/40-2	27ST540	6F	F25	40	62,45	66,0	40	21	27	8	0,193
27 ST5/42-2	27ST542	6F	F26	42	65,60	70,0	40	21	27	8	0,205
27 ST5/44-0	27ST544	6		44	68,80	-	45	21	27	8	0,228
27 ST5/48-0	27ST548	6		48	75,15	-	50	21	27	8	0,280
27 ST5/60-0	27ST560	6		60	94,25	-	65	21	27	8	0,430

(PASSO 5 mm) PER CINGHIA LARGHEZZA 25 mm - (PITCH 5 mm) FOR BELT WIDTH 25 mm
 (TEILUNG 5 mm) FUER RIEMENBREITE 25 mm - (PAS 5 mm) POUR COURROIES LARGEUR 25 mm
 (PASO 5 mm) PARA CORREAS ANCHO 25 mm

ST 5

CODICE CODE SYMBOL FABRIKNUMMER CODE SYMBOLE NUMERO DE FABRICA	NOSTRO CODICE OUR CODE UNSER KODE NOTRE CODE NUESTRO CODIGO	TIPO TYPE TYP TYPE TIPO	TIPO FLANGIA FLANGES TYPE BORDSCHEIBEN TYP TYPE FLASQUES TIPO TAPETAS	N.DENTI N. OF TEETH ZAHNEZAHL N. BRE DE DENTS CANTIDAD DE DIENTES	De	Df	Dm	F	L	d	PESO WEIGHT GEWICHT POIDS PESO Kg
36 ST5/12-2	36ST512	6F	F07	12	17,85	23,0	11	30	36	4	0,031
36 ST5/14-2	36ST514	6F	F08	14	21,05	25,0	14	30	36	4	0,037
36 ST5/15-2	36ST515	6F	F09	15	22,65	28,0	16	30	36	6	0,041
36 ST5/16-2	36ST516	6F	F10	16	24,20	32,0	18	30	36	6	0,050
36 ST5/18-2	36ST518	6F	F10	18	27,40	32,0	20	30	36	6	0,061
36 ST5/19-2	36ST519	6F	F12	19	29,00	36,0	22	30	36	6	0,070
36 ST5/20-2	36ST520	6F	F12	20	30,60	36,0	23	30	36	6	0,076
36 ST5/22-2	36ST522	6F	F14	22	33,85	38,0	24	30	36	6	0,080
36 ST5/24-2	36ST524	6F	F15	24	37,00	42,0	26	30	36	6	0,109
36 ST5/25-2	36ST525	6F	F17	25	38,60	44,0	26	30	36	6	0,118
36 ST5/26-2	36ST526	6F	F17	26	40,20	44,0	26	30	36	6	0,120
36 ST5/27-2	36ST527	6F	F18	27	41,80	48,0	30	30	36	8	0,128
36 ST5/28-2	36ST528	6F	F18	28	43,35	48,0	32	30	36	8	0,135
36 ST5/30-2	36ST530	6F	F19	30	46,55	51,0	34	30	36	8	0,150
36 ST5/32-2	36ST532	6F	F20	32	49,70	54,0	36	30	36	8	0,178
36 ST5/36-2	36ST536	6F	F24	36	56,05	64,0	38	30	36	8	0,230
36 ST5/40-2	36ST540	6F	F25	40	62,45	66,0	40	30	36	8	0,278
36 ST5/42-2	36ST542	6F	F26	42	65,60	70,0	40	30	36	8	0,284
36 ST5/44-0	36ST544	6		44	68,80	-	45	30	36	8	0,315
36 ST5/48-0	36ST548	6		48	75,15	-	50	30	36	8	0,400
36 ST5/60-0	36ST560	6		60	94,25	-	65	30	36	8	0,614

Pulegge per cinghie dentate passo metrico ST per cinghie " AT "
ST Timing belt pulleys metric pitch for " AT " belts
ST Zahnriemenscheiben metrische Teilung für " AT "
Poulies dentées ST pour courroies " AT " pas métrique
Poleas dentadas ST para correas " AT " paso en mm

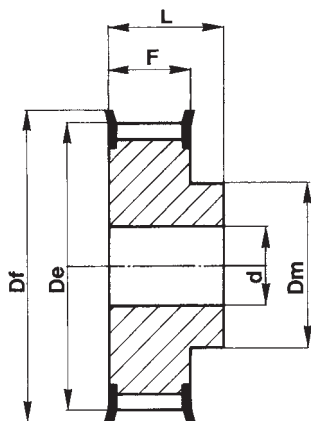
Materiale: alluminio 6082 T6 UNI 9006/4 adatto al trattamento anodico

Material: aluminium 6082 T6 UNI 9006/4 suitable for anodic treatment

Material: aluminium 6082 T6 UNI 9006/4 geeignet für anodischen oxydation

Material: aluminium 6082 T6 UNI 9006/4 apte au traitement anodique

Material: aluminio 6082 T6 UNI 9006/4 apto para la oxidacion anodica

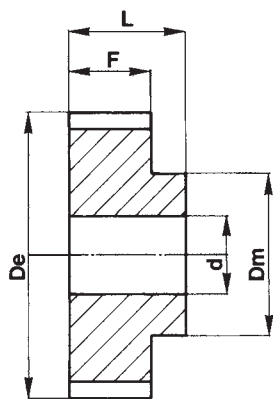


TIPO TYPE 6F

ST 10 (PASSO 10 mm) PER CINGHIA LARGHEZZA 16 mm - (PITCH 10 mm) FOR BELT WIDTH 16 mm
 (TEILUNG 10 mm) FUER RIEMENBREITE 16 mm - (PAS 10 mm) POUR COURROIES LARGEUR 16 mm
 (PASO 10 mm) PARA CORREAS ANCHO 16 mm

CODICE CODE SYMBOL FABRIKNUMMER CODE SYMBOLE NUMERO DE FABRICA	NOSTRO CODICE OUR CODE UNSER KODE NOTRE CODE NUESTRO CODIGO	TIPO TYPE TYP TYPE TIPO	TIPO FLANGIA FLANGES TYPE BORDSCHEIBEN TYP TYPE FLASQUES TIPO TAPETAS	N.DENTI N. OF TEETH ZAHNEZAHL N. BRE DE DENTS CANTIDAD DE DIENTES	De	Df	Dm	F	L	d	PESO WEIGHT GEWICHT POIDS PESO Kg
31 ST10/15-2	31ST115	6F	F19	15	45,90	51	31	21	31	8	0,118
31 ST10/16-2	31ST116	6F	F20	16	49,05	54	35	21	31	8	0,134
31 ST10/18-2	31ST118	6F	F22	18	55,45	60	40	21	31	8	0,167
31 ST10/19-2	31ST119	6F	F25	19	58,60	66	44	21	31	8	0,184
31 ST10/20-2	31ST120	6F	F25	20	61,80	66	46	21	31	8	0,208
31 ST10/22-2	31ST122	6F	F27	22	68,15	75	52	21	31	8	0,253
31 ST10/24-2	31ST124	6F	F29	24	74,55	83	58	21	31	8	0,288
31 ST10/25-2	31ST125	6F	F29	25	77,70	83	60	21	31	8	0,310
31 ST10/26-2	31ST126	6F	F30	26	80,90	87	60	21	31	8	0,357
31 ST10/27-2	31ST127	6F	F31	27	84,10	91	60	21	31	8	0,364
31 ST10/28-2	31ST128	6F	F32	28	87,25	93	60	21	31	8	0,401
31 ST10/30-2	31ST130	6F	F33	30	93,65	97	60	21	31	8	0,441
31 ST10/32-2	31ST132	6F	F35	32	100,00	106	65	21	31	10	0,493
31 ST10/36-2	31ST136	6F	F38	36	112,75	120	70	21	31	10	0,623
31 ST10/40-2	31ST140	6F	F42	40	125,45	135	80	21	31	10	0,787
31 ST10/44-0	31ST144	6		44	138,20	-	88	21	31	10	0,993
31 ST10/48-0	31ST148	6		48	150,95	-	95	21	31	16	1,090
31 ST10/60-0	31ST160	6		60	189,10	-	110	21	31	16	1,701

ST 10 (PASSO 10 mm) PER CINGHIA LARGHEZZA 25 mm - (PITCH 10 mm) FOR BELT WIDTH 25 mm
 (TEILUNG 10 mm) FUER RIEMENBREITE 25 mm - (PAS 10 mm) POUR COURROIES LARGEUR 25 mm
 (PASO 10 mm) PARA CORREAS ANCHO 25 mm



TIPO TYPE 6

CODICE CODE SYMBOL FABRIKNUMMER CODE SYMBOLE NUMERO DE FABRICA	NOSTRO CODICE OUR CODE UNSER KODE NOTRE CODE NUESTRO CODIGO	TIPO TYPE TYP TYPE TIPO	TIPO FLANGIA FLANGES TYPE BORDSCHEIBEN TYP TYPE FLASQUES TIPO TAPETAS	N.DENTI N. OF TEETH ZAHNEZAHL N. BRE DE DENTS CANTIDAD DE DIENTES	De	Df	Dm	F	L	d	PESO WEIGHT GEWICHT POIDS PESO Kg
40 ST10/15-2	40ST115	6F	F19	15	45,90	51	32	30	40	8	0,152
40 ST10/16-2	40ST116	6F	F20	16	49,05	54	35	30	40	8	0,176
40 ST10/18-2	40ST118	6F	F22	18	55,45	60	40	30	40	8	0,224
40 ST10/19-2	40ST119	6F	F25	19	58,60	66	44	30	40	8	0,247
40 ST10/20-2	40ST120	6F	F25	20	61,80	66	46	30	40	8	0,276
40 ST10/22-2	40ST122	6F	F27	22	68,15	75	52	30	40	8	0,337
40 ST10/24-2	40ST124	6F	F29	24	74,55	83	58	30	40	8	0,392
40 ST10/25-2	40ST125	6F	F29	25	77,70	83	60	30	40	8	0,422
40 ST10/26-2	40ST126	6F	F30	26	80,90	87	60	30	40	8	0,477
40 ST10/27-2	40ST127	6F	F31	27	84,10	91	60	30	40	8	0,536
40 ST10/28-2	40ST128	6F	F32	28	87,25	93	60	30	40	8	0,540
40 ST10/30-2	40ST130	6F	F33	30	93,65	97	60	30	40	8	0,640
40 ST10/32-2	40ST132	6F	F35	32	100,00	106	65	30	40	10	0,693
40 ST10/36-2	40ST136	6F	F38	36	112,75	120	70	30	40	10	0,873
40 ST10/40-2	40ST140	6F	F42	40	125,45	135	80	30	40	10	1,067
40 ST10/44-0	40ST144	6		44	138,20	-	88	30	40	10	1,350
40 ST10/48-0	40ST148	6		48	150,95	-	95	30	40	16	1,516
40 ST10/60-0	40ST160	6		60	189,10	-	110	30	40	16	2,339

Pullegge per cinghie dentate passo metrico ST per cinghie " AT "
ST Timing belt pulleys metric pitch for " AT " belts
ST Zahnriemenscheiben metrische Teilung für " AT "
Poulies dentées ST pour courroies " AT " pas métrique
Poleas dentadas ST para correas " AT " paso en mm



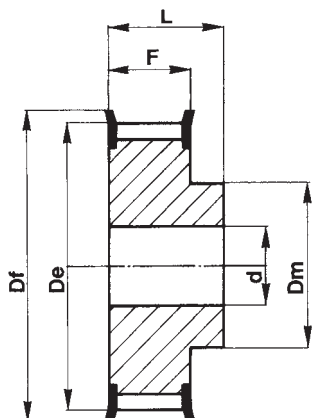
Materiale: alluminio 6082 T6 UNI 9006/4 adatto al trattamento anodico

Material: aluminium 6082 T6 UNI 9006/4 suitable for anodic treatment

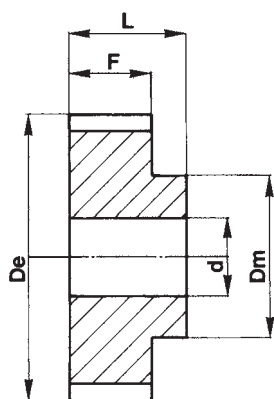
Material: aluminium 6082 T6 UNI 9006/4 geeignet für anodischen oxydation

Material: aluminium 6082 T6 UNI 9006/4 apte au traitement anodique

Material: aluminio 6082 T6 UNI 9006/4 apto para la oxidacion anodica



TIPO TYPE 6F



TIPO TYPE 6

ST 10 (PASSO 10 mm) PER CINGHIA LARGHEZZA 32 mm - (PITCH 10 mm) FOR BELT WIDTH 32 mm
 (TEILUNG 10 mm) FUER RIEMENBREITE 32 mm - (PAS 10 mm) POUR COURROIES LARGEUR 32 mm
 (PASO 10 mm) PARA CORREAS ANCHO 32 mm

CODICE CODE SYMBOL FABRIKNUMMER CODE SYMBOLE NUMERO DE FABRICA	NOSTRO CODICE OUR CODE UNSER KODE NOTRE CODE NUESTRO CODIGO	TIPO TYPE TYP TYPE TIPO	TIPO FLANGIA FLANGES TYPE BORDSCEIBEN TYP TYPE FLASQUES TIPO TAPETAS	N.DENTI N. OF TEETH ZAHNEZAHL N. BRE DE DENTS CANTIDAD DE DIENTES	De	Df	Dm	F	L	d	PESO WEIGHT GEWICHT POIDS PESO Kg
47 ST10/18-2	47ST118	6F	F22	18	55,45	60	40	37	47	10	0,253
47 ST10/19-2	47ST119	6F	F25	19	58,60	66	44	37	47	10	0,286
47 ST10/20-2	47ST120	6F	F25	20	61,80	66	46	37	47	12	0,322
47 ST10/22-2	47ST122	6F	F27	22	68,15	75	52	37	47	12	0,393
47 ST10/24-2	47ST124	6F	F29	24	74,55	83	58	37	47	12	0,475
47 ST10/25-2	47ST125	6F	F29	25	77,70	83	60	37	47	12	0,527
47 ST10/26-2	47ST126	6F	F30	26	80,90	87	60	37	47	12	0,564
47 ST10/27-2	47ST127	6F	F31	27	84,10	91	60	37	47	12	0,602
47 ST10/28-2	47ST128	6F	F32	28	87,25	93	60	37	47	12	0,642
47 ST10/30-2	47ST130	6F	F33	30	93,65	97	60	37	47	12	0,740
47 ST10/32-2	47ST132	6F	F35	32	100,00	106	65	37	47	12	0,844
47 ST10/36-2	47ST136	6F	F38	36	112,75	120	70	37	47	16	1,063
47 ST10/40-2	47ST140	6F	F42	40	125,45	135	80	37	47	16	1,317
47 ST10/44-0	47ST144	6		44	138,20	-	88	37	47	16	1,611
47 ST10/48-0	47ST148	6		48	150,95	-	95	37	47	16	1,931
47 ST10/60-0	47ST160	6		60	189,10	-	110	37	47	16	3,004

ST 10 (PASSO 10 mm) PER CINGHIA LARGHEZZA 50 mm - (PITCH 10 mm) FOR BELT WIDTH 50 mm
 (TEILUNG 10 mm) FUER RIEMENBREITE 50 mm - (PAS 10 mm) POUR COURROIES LARGEUR 50 mm
 (PASO 10 mm) PARA CORREAS ANCHO 50 mm

CODICE CODE SYMBOL FABRIKNUMMER CODE SYMBOLE NUMERO DE FABRICA	NOSTRO CODICE OUR CODE UNSER KODE NOTRE CODE NUESTRO CODIGO	TIPO TYPE TYP TYPE TIPO	TIPO FLANGIA FLANGES TYPE BORDSCEIBEN TYP TYPE FLASQUES TIPO TAPETAS	N.DENTI N. OF TEETH ZAHNEZAHL N. BRE DE DENTS CANTIDAD DE DIENTES	De	Df	Dm	F	L	d	PESO WEIGHT GEWICHT POIDS PESO Kg
66 ST10/18-2	66ST118	6F	F22	18	55,45	60	40	56	66	10	0,422
66 ST10/19-2	66ST119	6F	F25	19	58,60	66	44	56	66	10	0,466
66 ST10/20-2	66ST120	6F	F25	20	61,80	66	46	56	66	12	0,520
66 ST10/22-2	66ST122	6F	F27	22	68,15	75	52	56	66	12	0,570
66 ST10/24-2	66ST124	6F	F29	24	74,55	83	58	56	66	12	0,736
66 ST10/25-2	66ST125	6F	F29	25	77,70	83	60	56	66	12	0,766
66 ST10/26-2	66ST126	6F	F30	26	80,90	87	60	56	66	12	0,816
66 ST10/27-2	66ST127	6F	F31	27	84,10	91	60	56	66	12	0,946
66 ST10/28-2	66ST128	6F	F32	28	87,25	93	60	56	66	12	0,960
66 ST10/30-2	66ST130	6F	F33	30	93,65	97	60	56	66	12	1,169
66 ST10/32-2	66ST132	6F	F35	32	100,00	106	65	56	66	12	1,300
66 ST10/36-2	66ST136	6F	F38	36	112,75	120	70	56	66	16	1,637
66 ST10/40-2	66ST140	6F	F42	40	125,45	135	80	56	66	16	1,999
66 ST10/44-0	66ST144	6		44	138,20	-	88	56	66	16	2,357
66 ST10/48-0	66ST148	6		48	150,95	-	95	56	66	16	2,830
66 ST10/60-0	66ST160	6		60	189,10	-	110	56	66	16	4,368